

VAPORISERS

VAPORISER PRODUCTS

- Ambient air heated vaporisers.
- Water bath vaporisers.
- Electric trim heaters
- Electric vaporisers.

ELECTRIC VAPORISERS

- Direct contact type
- Pressure build up unit.
- Electrically heated water bath type.

STANDARD FEATURES

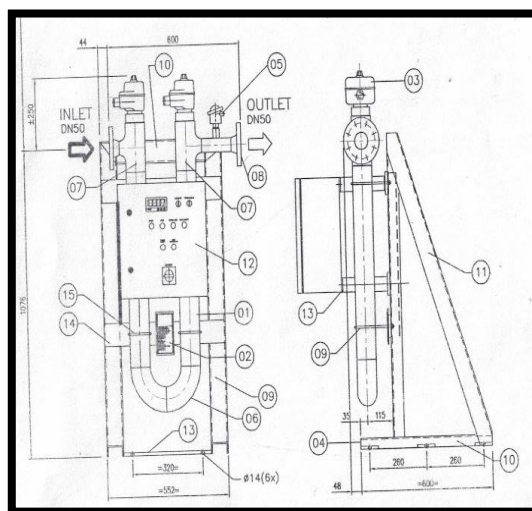
- High temperature limit protection on each heater segment.
- Vertical cylindrical vessels with DN-40/DN25/DN15 in and outlet connections suitable to applicable pressure rating.
- Complete vessel with control cabinet mounted on sturdy frame, heater etc. to be placed in a safe area.
- Capacities to 100 KW in single cabinet.
- Complete weather proof / flameproof control panels as per requirements.
- Circuit breaker with door interlock.
- Accurate temperature control.
- Replaceable heating elements.
- Silicone rubber sealed heater terminals.



OPTIONS

- Low outlet gas temperature cut off systems through Electric Solenoid Valves / electro pneumatically operated valves.
- Inlet and outlet connections.
- Flange or threaded fittings.
- Automatic bypass arrangement.
- Special temperature control from -150°C to 100°C controlled from heater outlet.
- Temperature indication controller given in digital display on a continuous basis with desired set point (OPTIONAL).
- Thyristor Temperature controller (OPTIONAL).

Model	Flow (Kg/hr)	Kilowatts	Connections
SCS/440-5-C	50	5	15NB
SCS/440-10-C	100	10	15NB
SCS/440-15-C	160	15	20NB
SCS/440-25-C	250	25	25NB
SCS/440-40-C	400	40	25NB
SCS/440-50-C	500	50	25NB
SCS/440-75-C	750	75	40NB
SCS/440-100-C	1000	100	40NB



SPIRARE ENERGY PVT. LTD.

OFFICE: 605, Rohit House, 3-Tolstoy Marg, Connaught Place, New Delhi-110001. Telefax:011-43671946

WORKS: C-83, Sector 88, Phase-II Noida 201305, Ph : 8447786982

E-mail : info@spirare.co.in, Website : www.spirare.co.in